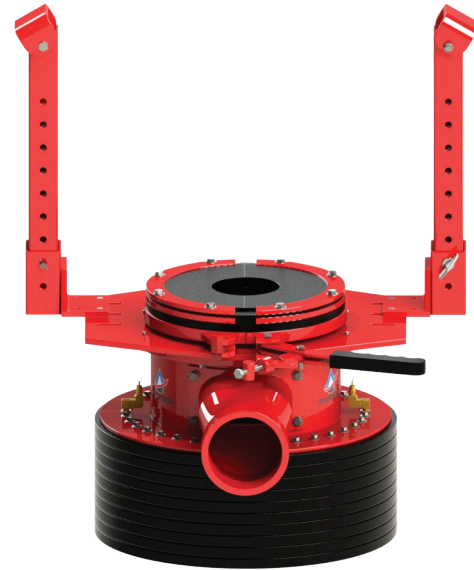
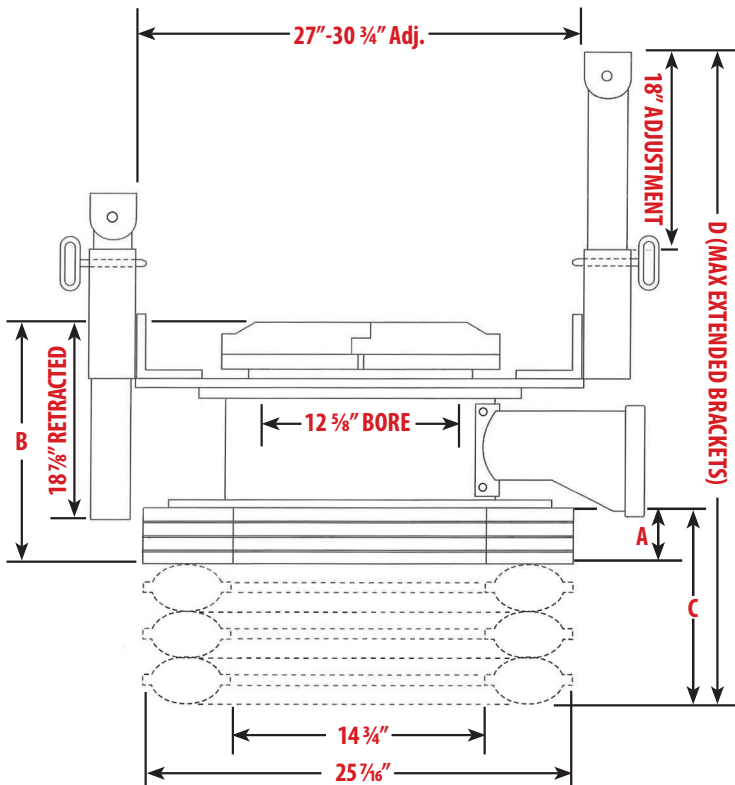


The 3000-12 EXT will perform the same function as the 3000-12. The 3000-12 EXT uses manually extendable brackets along with the pneumatic tube assembly. The Diverter System uses the patented two-piece stripper rubber which was designed exclusively for Divertech.

The 3000-12 EXT Pneumatic Diverter System can be manufactured with a 5, 10, or 11-tube Pneumatic Assembly and, in most cases, has sufficient enough extension to work properly against the ground. Included extendable brackets enable the unit to be elongated far enough for the pneumatic section to contact the ground and seal. The flow line can be rotated to direct drill cuttings where you want them. The 3000-12 EXT can be utilized on terrain that is up to 20° out of level. The 3000-12 EXT comes complete with Control Unit, Primary Inline Regulator, Air Lines, and Universal Mounting Brackets.



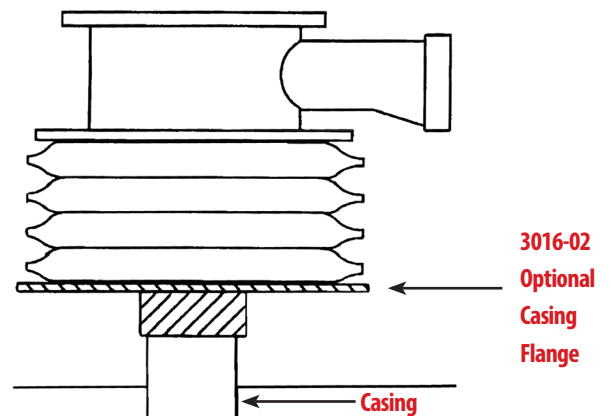
3000-12 EXT Brackets Extended Pneumatic Assembly Deflated with Stripper Rubber Closed



	5 Tube	10 Tube	11 Tube
A - Retracted Bladder	5"	10"	11"
B - Retracted Overall Height	16 1/2"	21 1/2"	22 1/2"
C - Inflated Bladder	17"	35"	38"
D - Inflated Overall Height	48"	66"	69"

#### Outlet Options

- Standard 6" NPT Outlet
- Optional 8" NPT Outlet (Note: This option adds 1 1/2" to overall height)



Optional Casing Flange is available and should be used after casing is set.